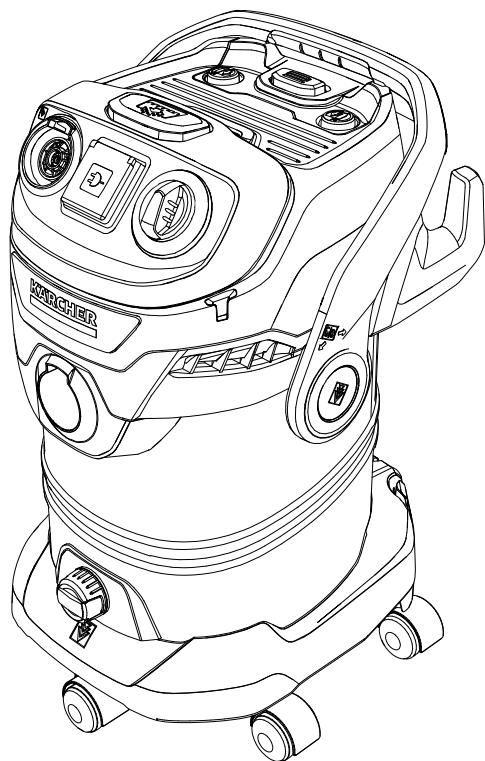


WD 5 / WD 5 S / WD 5 P / WD 5 PS / WD 6 P / WD 6 PS
KWD 5 / KWD 5 S /
KWD 5 P / KWD 5 PS / KWD 6 P / KWD 6 PS

English
العربية

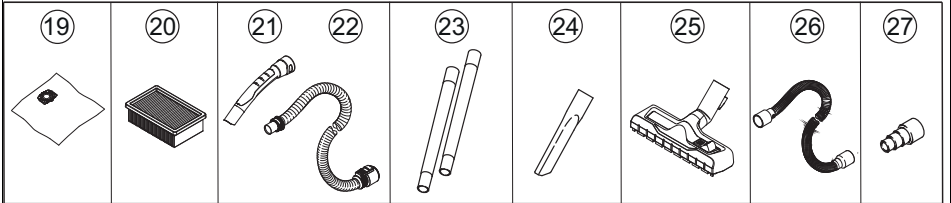
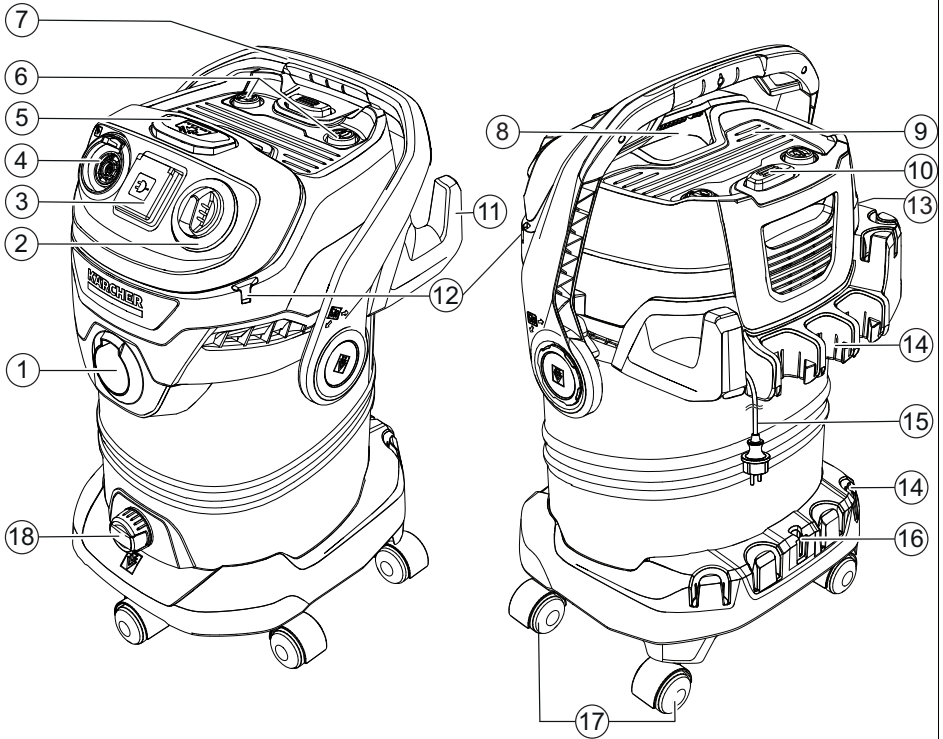
5
9

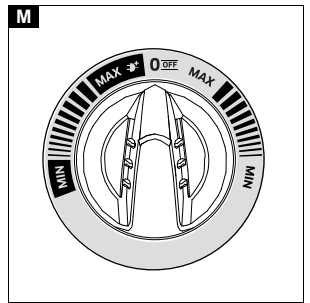
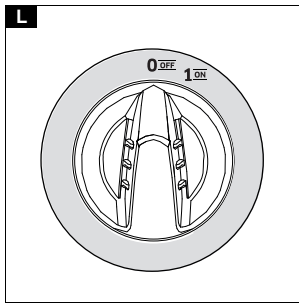
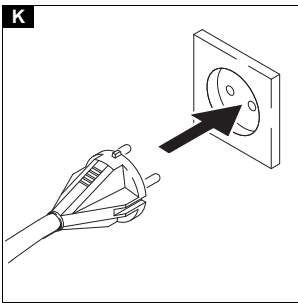
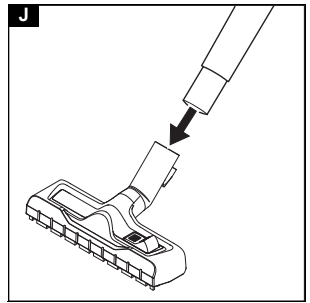
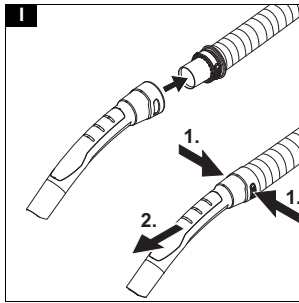
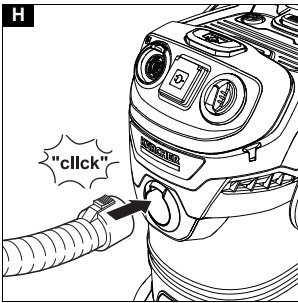
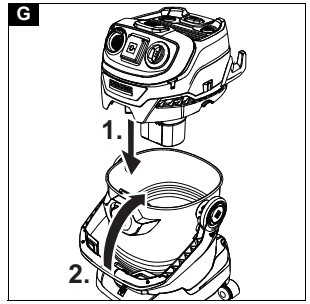
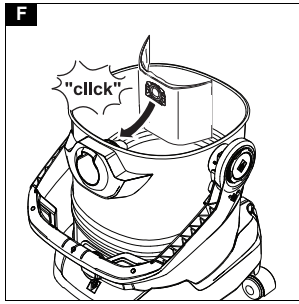
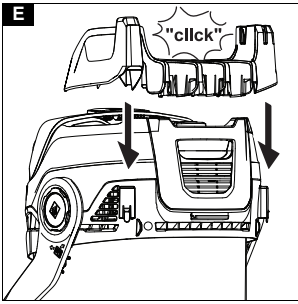
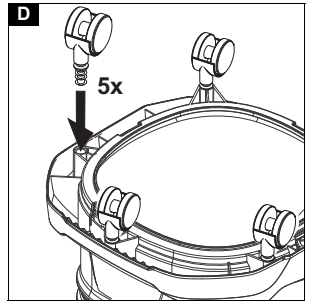
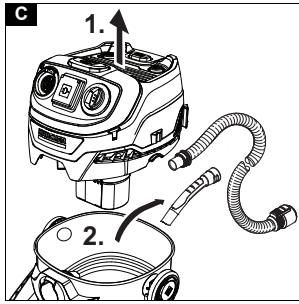
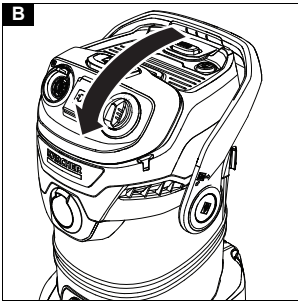


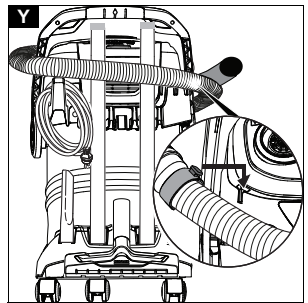
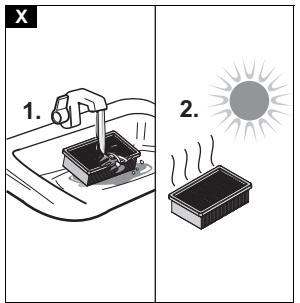
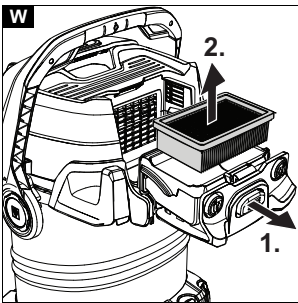
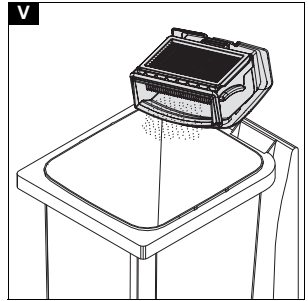
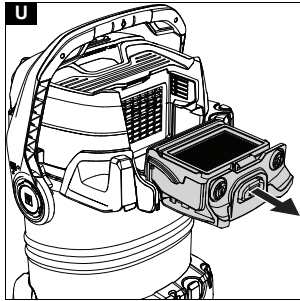
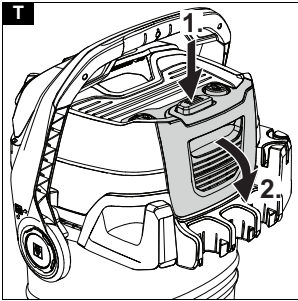
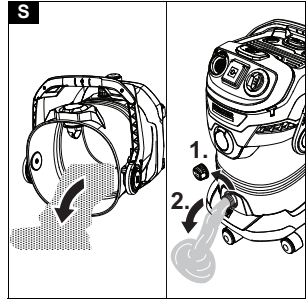
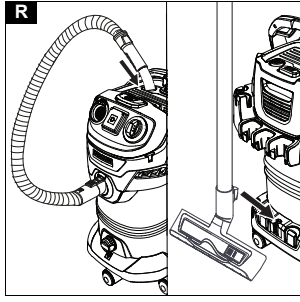
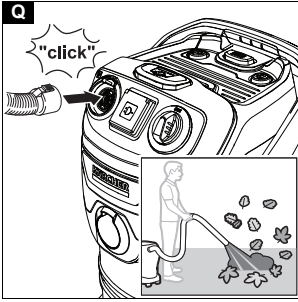
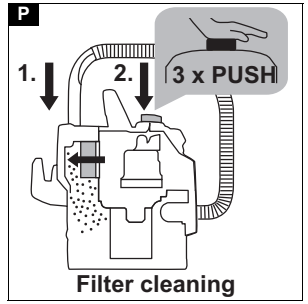
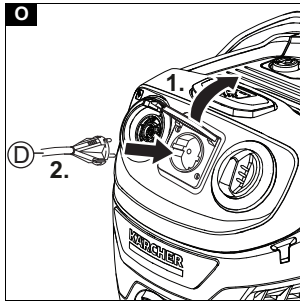
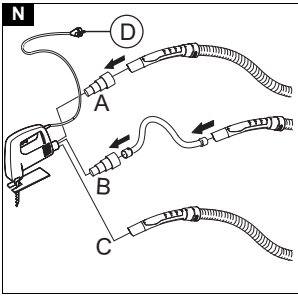
**Register
your product**
www.kaercher.com/welcome



59510300 (06/21)

A**WD 6 P S / KWD 6 P S**





Safety instructions Wet/dry vacuum cleaner and dry vacuum cleaner



Read these safety instructions and the original instructions before using the device for the first time. Act in accordance with them.

- In addition to the notes in the operating instructions, you also need to take into consideration the general safety regulations and accident prevention guidelines applicable by law.
- Warnings and information notices attached to the device provide important information for hazard-free operation.

Hazard levels

⚠ DANGER

- Indication of an imminent threat of danger that will lead to severe injuries or even death.

⚠ WARNING

- Indication of a potentially dangerous situation that may lead to severe injuries or even death.

⚠ CAUTION

- Indication of a potentially dangerous situation that may lead to minor injuries.

ATTENTION

- Indication of a potentially dangerous situation that may lead to damage to property.

General safety instructions

⚠ DANGER • Risk of asphyxiation. Keep packaging film out of the reach of children.

⚠ WARNING • Only use the device for its proper use. Take into account the local conditions and beware of third parties, in particular children, when working with the device. • Persons with reduced physical, sensory or mental capabilities and persons lacking experience and knowledge may only use the appliance if they are properly supervised, have been instructed on use of the appliance safely by a person responsible for their safety, and understand the resultant hazards involved. • Only people who have been instructed on how to use the device, or have proven their ability to operate it, and have been explicitly instructed to use it, must use the device. • Children must not operate the device. • Children from the minimum age of 8 may use the appliance if they are properly supervised or have been instructed in its use by a person responsible for their safety, and if they have understood the resultant hazards involved. • Children must be supervised to prevent them from playing with the appliance. • Children may only perform cleaning work and user maintenance under supervision.

⚠ CAUTION • Safety devices are provided for your own protection. Never modify or bypass safety devices.

Risk of electric shock

⚠ DANGER • Only connect the device to alternating current. The voltage indicated on the type plate must match the voltage of the power source. • Never touch the mains plug and socket with wet hands. • Only operate the device via a fault current protection switch (maximum 30 mA). • Do not immerse the device in water.

⚠ WARNING • Only connect the device to an electrical connection which has been set up by a quali-

fied electrician as per IEC 60364-1. • Check the power supply cable with mains plug for damage before operation each time. Do not put the device into operation with a damaged power supply cable. Have a damaged power supply cable replaced immediately by the authorised customer service / qualified electrician. • Do not damage the power supply and extension cable by running over it, crushing or yanking it or similar. Protect the power supply cable from heat, oil and sharp edges.

⚠ CAUTION • In case of longer breaks in operation and after use, switch off the device at the main switch / device switch and pull the mains plug. • Switch off the device and unplug the mains plug before performing cleaning/maintenance. • When using the device, pull the power supply cable fully out of the device. If the cable is wrapped around the cable hook, you must undo it completely. • Do not carry/transport the device using the power supply cable. • Do not pull the mains plug out the socket using the power supply cable.

Wet vacuum cleaning

⚠ WARNING

- In case of any foam formation or escaping liquids, switch off the device immediately and remove the mains plug.

Operation

⚠ DANGER

- Operation in explosive atmospheres is prohibited.

- Risk of explosion
- Never use the device to vacuum up combustible gases, liquids or dusts.
- Never use the device to vacuum up reactive metal dusts (e.g. aluminium, magnesium, zinc).
- Never use the device to vacuum up undiluted brine or acids.
- Never use the device to vacuum up any burning or smouldering objects/matter. These substances can corrode the materials in use on the device.

⚠ WARNING

- Risk of injury. Do not use the nozzle and suction pipe at head height.

⚠ CAUTION

- Never leave the device unsupervised while it is in operation.
- Accidents or damage due to the device falling over. Before all actions with or on the device, you must make sure that it is stable.

ATTENTION

- Protect the device from extreme weather conditions, moisture and heat.
- Never use the device without a filter, this can lead to device damage.

Care and service

⚠ WARNING

- Switch off the device immediately and remove the mains plug before performing any care and service work.

⚠ CAUTION

- Have repair work and work on electrical components carried out by the authorised customer service only.

ATTENTION

- Do not use scouring agents, glass or multi-purpose cleaner for cleaning.

Transport

CAUTION

- In order to prevent accidents or injuries, you must observe the weight of the device when transporting it.

Intended use

Only use the device in private households.

In accordance with the descriptions and the safety information in these operating instructions, the device is intended for use as a wet and dry vacuum cleaner.

Cold ashes may only be vacuumed with suitable accessories.

Protect the device from rain and do not store it outdoors.

Note

The manufacturer accepts no liability for possible damage caused by improper use or incorrect operation.

Environmental protection



The packing materials can be recycled. Please dispose of packaging in accordance with the environmental regulations.



Electrical and electronic appliances contain valuable, recyclable materials and often components such as batteries, rechargeable batteries or oil,

which - if handled or disposed of incorrectly - can pose a potential threat to human health and the environment. However, these components are required for the correct operation of the appliance. Appliances marked by this symbol are not allowed to be disposed of together with the household rubbish.

Notes on the content materials (REACH)

Current information on content materials can be found at: www.kaercher.com/REACH

Accessories and spare parts

Only use original accessories and original spare parts. They ensure that the appliance will run fault-free and safely.

Information on accessories and spare parts can be found at www.kaercher.com.

Scope of delivery

The scope of delivery for the appliance is shown on the packaging. Check the contents for completeness when unpacking. If any accessories are missing or in the event of any shipping damage, please notify your dealer.

Warranty

The warranty conditions issued by our relevant sales company apply in all countries. We shall remedy possible malfunctions on your appliance within the warranty period free of cost, provided that a material or manufacturing defect is the cause. In a warranty case, please contact your dealer (with the purchase receipt) or the next authorised customer service site. (See overleaf for the address)

Description of the device

The illustrations show the device with the best possible equipment (WD 6 P S / KWD 6 P S).

Depending on the model selected, there are differences in the equipment. The specific equipment is described on the device packaging.

For the illustrations, refer to the graphics page.

Illustration A

- ① Suction hose connection
- ② Rotary switch (with power regulation for devices with a socket)
- ③ Power socket
- ④ Blower function
- ⑤ Filter cleaning button
- ⑥ Parking position handle
- ⑦ Carrying handle
- ⑧ Recessed grip
- ⑨ Storage area
- ⑩ Filter box and unlocking button
- ⑪ Cable hook
- ⑫ Suction hose storage (both sides)
- ⑬ Rating plate with technical data (e.g. container size)
- ⑭ Accessory storage
- ⑮ Mains connection with mains plug
- ⑯ Parking position for floor nozzle
- ⑰ Steering roller
- ⑱ Drain screw
- ⑲ Filter bag
- ⑳ Flat pleated filter
- ㉑ Removable handle with electrostatic protection
- ㉒ Suction hose with connection piece
- ㉓ Suction tubes 2 x 0.5 m
- ㉔ Crevice nozzle
- ㉕ Floor nozzle
- ㉖ Flexible tool hose
- ㉗ Adapter for connecting power tools

Mount the steering rollers and support for the accessory holder

1. The carrying handle also serves to lock the device head and container. To unlock, swivel the bracket all the way forward until the lock is free.

Illustration B

2. Before initial startup, remove the contents from the container and mount the steering rollers.

Illustration C

Illustration D

3. Clip the support for the accessory mounting on the back of the device head.

Illustration E

Note

For versions with stainless steel tubes, remove the protective cover before initial startup.

Initial startup

Inserting the filter bag

1. Fully unfold the filter bag.
2. Attach the filter bag to the device connection and press it on firmly.

Illustration F

3. Fit and lock the device head.

Illustration G

Accessory application

1. Connect the suction hose.
Illustration H
2. Connect the suction hose to the handle.
Illustration I

Note

For convenient vacuuming in confined spaces, the handle can be removed, and the accessories plugged directly onto the suction hose.

To release the handle, the grey areas on both sides of the handle must be pressed, and the handle pulled from the hose.

3. Connect the floor nozzle to the suction tubes.
 - Use the position with the brush strips extended to vacuum dry dirt.
 - Use the position with squeegees extended to suck up damp dirt / water.

Illustration J

Starting up the device

1. Plug the mains plug into the socket.

Illustration K

Devices without a socket

2. Set the trigger into the desired position.



Illustration L

- Position "1 ON": The suction / blower function is activated.
- Position "0 OFF": The device is switched off.

Devices with a socket

3. Set the trigger into the desired position.

Illustration M

- "MAX" position: The suction / blower function is activated.
- Position MAX  : When the power tool is connected, the suction is activated automatically.
- Position "0 OFF": The device is switched off.

Note

As long as the device is supplied with power, the device socket can be used as a power source.

Operation

ATTENTION

Flat pleated filter missing

Device damage

Always work with the flat pleated filter inserted.

Note

Pay attention to the latest part numbers when purchasing and installing filter bags and flat pleated filters. Information on accessories and spare parts can be found at www.kaercher.com.

Dry vacuuming

ATTENTION

Vacuuming cold ashes

Device damage

Only vacuum cold ash with an ash pre-separator.

ATTENTION

Defective or wet flat pleated filter

Device damage

Before initial startup, check the flat pleated filter for damage and replace it if necessary.

Only vacuum with a dry flat pleated filter.

Note

Replace the filter bag in good time, as a filter bag that is too full could be damaged. The fill degree of the filter bag depends on the amount of dirt vacuumed. The filter bag should be replaced more frequently when vacuuming fine dust, sand, etc.

Wet vacuuming

ATTENTION

Wet vacuuming with a filter bag

Device damage

Do not use a filter bag when vacuuming wet.

ATTENTION

Operation with full container

When the container is full, a float switch closes the suction opening and the device runs at a higher speed.

Switch off the device immediately and empty the container.

Note

If the device falls over, the float can also close. To make the device capable of vacuuming again, set up the device, switch it off, wait 5 seconds and then switch it on again.

Working with power tools (only for devices with a built-in socket)

⚠ CAUTION

Unintentional starting of the power tool

Injury or property damage

Make sure that the power tool is ready for operation as soon as it is connected to the device socket.

Note

Depending on the model selected, an adapter or an adapter and a thin tool hose are included in the scope of delivery.

1. Connect the suction hose.

Illustration H

2. If necessary, the adapter can be adjusted to the connection diameter of the power tool with a suitable tool.
3. Option A) Put the adapter on the handle of the suction hose. Connect the suction hose to the adapter on the power tool.
Option B) For more flexibility when working, connect the adapter to the thin tool hose and the handle of the suction hose and connect it to the power tool.
Option C) With some power tools, the handle of the suction hose can be connected directly to the power tool.

Illustration N

4. Plug the mains plug of the power tool into the device socket.

Illustration O


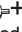
5. Set the trigger to MAX  . Set. The power can be regulated using the rotary switch. The suction is activated automatically.

Illustration M

Note

Note the maximum connected load (see information on the device socket).

Note

As soon as the power tool is switched on, the suction turbine starts up with a 0.5 second delay. If the power tool is switched off, the suction turbine continues to run for approx. 5 seconds in order to suck in the residual dirt in the suction hose.

Integrated filter cleaning system

Note

The filter cleaning system is designed for vacuuming large quantities of fine dust without a filter bag inserted. The filter cleaning system allows the soiled flat fold filter to be cleaned at the push of a button and the suction performance to be increased again.

- Place the handle of the suction hose in the designated parking position on the device head. Press the filter cleaning button three times with the device switched on, waiting 4 seconds between the individual actuations.

Illustration P

Note

After pressing the filter cleaning button several times, check the container for its filling volume. Otherwise dirt can escape when the container is opened

Blower function

The blower function can be used to clean areas that are difficult to reach or where vacuuming is not possible, e.g. leaves in a gravel bed.

- Insert the suction hose into the blower connection. The blower function is now activated.

Illustration Q

Interrupting operation

1. Set the trigger to "0 OFF". The device is switched off.
2. Variant 1: Place the handle of the suction hose in the intermediate parking position.
Variant 2: Attach the floor nozzle in the parking position.

Illustration R

Ending operation

1. Set the trigger to "0 OFF". The device is switched off.
2. Pull out the mains plug.
3. Remove the device head.

Illustration B

4. Empty the container.
On the devices that have a drain screw, the container can be emptied via the drain screw.

Illustration S

5. Storage possibility:

Illustration Y

Note

The suction hose can be wrapped around the device head and attached to the device head with the help of the hose collar.

6. Store the device in a dry and frost-proof room.

Care and service

General care instructions

- Clean the device and plastic accessory parts with a commonly available plastic cleaner.
- Rinse the container and accessories with water, as necessary, and dry them before further use.

Clean the filter box / flat pleated filter

1. Unlock the filter box and fold it out.

Illustration T

2. Remove the filter box.

Illustration U

3. Empty the filter box into a waste container. In the case of heavy soiling, tap the filter box against the edge of the waste container. The flat pleated filter does not have to be removed from the filter box.

Illustration V

If necessary, clean the flat pleated filter separately.

4. To do this, remove the flat pleated filter from the filter box.

Illustration W

5. Clean the flat pleated filter under running water. Do not rub or brush off.

Allow the flat pleated filter to dry completely before reusing.

Illustration X

We recommend cleaning the flat pleated filter after each use.

Troubleshooting guide

Malfunctions often have simple causes that you can remedy yourself using the following overview. When in doubt, or in the case of malfunctions not mentioned here, please contact your authorised Customer Service.

Declining suction performance

Accessories, the suction hose or the suction tubes are clogged.

- Remove the clog with a suitable aid.

The filter bag is full

- Replace the filter bag.

The flat pleated filter is dirty.

- Clean the flat pleated filter (see Chapter *Clean the filter box / flat pleated filter*).

The flat pleated filter is damaged.

- Replace the flat pleated filter.

Technical data

Note

The technical data can be found on the type plate.

إيقاف التشغيل

1. انقل مفتاح الجهاز إلى الوضع "OFF 0".
الجهاز متوقف.
 2. نزع قابس الشبكة.
 3. أزل رأس الجهاز.
 4. **صورة إيضاحية B**
قم بتفريغ الوعاء.
بالنسبة للجهاز التي تحتوي على سدادة تصريف، يمكن تفريغ الحاوية باستخدام سدادة التصريف.
 5. **صورة إيضاحية S**
خيار التخزين:
صورة إيضاحية Y
- إرشاد**
يمكن لف خرطوم الشفط حول رأس الجهاز وتوصيله برأس الجهاز بمساعدة طوق الخرطوم.
6. احرص على تخزين الجهاز في غرفة جافة وأمنة ضد الصقيع.

العناية والصيانة

تعليمات العناية العامة

- نظف الجهاز وأجزاء الملحقات البلاستيكية باستخدام منظف بلاستيك شائع الاستخدام.
- اشطف الحاوية والملحقات بالماء، حسب اللزوم، وحققها قبل الاستخدام مرة أخرى.

تنظيف علبة الفلتر/الفلتر المطوي المسطح

1. افتح علبة الفلتر وقم بطيها للخارج.
صورة إيضاحية T
 2. أزل علبة الفلتر.
صورة إيضاحية U
 3. أفرغ علبة الفلتر في سلة المهملات. إذا كانت شديدة الاتساخ، فاضغط على علبة المرشح مقابل حافة سلة القمامة. لا يجل إزالة الفلتر المطوي المسطح من علبة الفلتر.
صورة إيضاحية V
 4. إذا لزم الأمر، قم بتنظيف الفلتر المطوي المسطح بشكل منفصل.
 4. ولقيام بذلك، أزل الفلتر المطوي المسطح من علبة الفلتر.
صورة إيضاحية W
 5. نظف الفلتر المطوي المسطح تحت المياه الجارية. عدم استخدام الفرشاة أو التنظيف بالفرشاة. اترك الفلتر المطوي المسطح يجف تماماً قبل إعادة استخدامه.
صورة إيضاحية X
- نوصي بتنظيف الفلتر المطوي المسطح بعد كل استخدام.

مساعدة في حالة حدوث أعمال

في الغالب تكون للاختلالات أسباب بسيطة يمكنك التغلب عليها ببساطة بالاستعانة بالعرض العام التالي. في حالات الشك أو عند حدوث اختلالات غير مذكورة هنا فيرجى التوجه إلى خدمة العملاء المعتمدة.

تقليل قوة الشفط

- الملحقات أو خرطوم الشفط أو أنابيب الشفط مسدودة.
- أزل الانسداد باستخدام وسائل مساعدة مناسبة.
- الفلتر الكيسي ممتلئ
- استبدل الفلتر الكيسي.
- الفلتر المطوي المسطح متسخ.
- نظف الفلتر المطوي المسطح (انظر الفصل تنظيف علبة الفلتر/الفلتر المطوي المسطح).
- الفلتر المطوي المسطح تالف.
- استبدل الفلتر المطوي المسطح.

البيانات الفنية

إرشاد

يمكن العثور على البيانات الفنية على لوحة المواصفات.

3. اضبط المقيض اليدوي إلى الموضع المرغوب.

صورة إيضاحية M

- وضع "MAX": تم تنشيط وظيفة الشفط/النفخ.
- وضع MAX +: عند توصيل الأداة الكهربائية، يتم تنشيط نظام الشفط تلقائياً.
- الوضع "OFF 0": الجهاز متوقف.

إرشاد

طالما أن الجهاز مزود بالطاقة، يمكن استخدام مقيس الجهاز كمصدر للطاقة.

التشغيل

تنبيه

الفلتر المطوي المسطح مفقود

تضرر الجهاز

أعمل دائماً مع إدخال الفلتر المطوي المسطح.

إرشاد

انتبه عند شراء أكياس الفلتر والفلتر المطوي إلى أرقام القطع الحالية.

تجد المعلومات الخاصة بالملحقات التكميلية وقطع الغيار على الموقع www.kaercher.com.

الشفط الجاف

تنبيه

كنس الأتربة الباردة

تلف الجهاز

اقتصر على كنس الأتربة الباردة باستخدام فاصل الأتربة الأولى.

تنبيه

الفلتر المطوي المسطح تالف أو رطب

تضرر الجهاز

قبل بدء التشغيل، افحص الفلتر المطوي المسطح بحثاً عن التلف واستبدله إذا لزم الأمر.

نظف بالمكسبة الكهربائية الفلتر المطوي المسطح الجاف فقط.

إرشاد

استبدل الفلتر الكيس في الوقت المناسب، لأن الفلتر الكيسي الممتلئ للغاية قد يتلف. يتعلق امتلاء الفلتر الكيسي بالأوساخ التي تم شفطها. يجب أن يتم استبدال الفلتر الكيسي بشكل متكرر عند استخدامه لشفط الغبار والرمل وما إلى ذلك.

الشفط الرطب

تنبيه

الكنس الرطب بكيس الفلتر

تلف الجهاز

لا تستخدم كيس الفلتر عند التنظيف الرطب بالمكسبة الكهربائية.

تنبيه

التشغيل بحاوية ممتلئة

عندما تكون الحاوية ممتلئة، يُغلق المفتاح العوامة فتحة الشفط ويعمل الجهاز بسرعة أعلى. أغلق الجهاز فوراً وأفرغ الحاوية.

إرشاد

إذا سقط الجهاز، فقد تغلق العوامة أيضاً. ليكون الجهاز قادراً على التنظيف مرة أخرى، اضبط الجهاز ووقف تشغيله وانتظر 5 ثوانٍ ثم أعد تشغيله مرة أخرى.

العمل مع الأدوات الكهربائية (فقط للأجهزة ذات المقبس المدمج)

⚠ تنويه

بدء التشغيل غير المقصود للأداة الكهربائية

إصابة أو ضرر في الممتلكات
تأكد من أن الأداة الكهربائية جاهزة للاستخدام بمجرد توصيلها بالمقبس.

إرشاد

حسب الطراز المختار، يتواجد مهايئ أو مهايئ وخرطوم رفيع في محتويات التسليم.

1. توصيل خرطوم الشفط.

صورة إيضاحية H

2. إذا لزم الأمر، يمكن موائمة المهايئ مع قطر وصلة الجهاز الكهربائي باستخدام أداة مناسبة.

3. الخيار (A) إدخال المهايئ على المقبض اليدوي لخرطوم الشفط. توصيل خرطوم الشفط مع المهايئ مع الجهاز الكهربائي.

الخيار (B) لمزيد من المرونة عند العمل، يجب توصيل المهايئ بخرطوم الجهاز ومقبض خرطوم الشفط وتوصيله بالجهاز الكهربائي.

الخيار (C) يمكن في بعض الأجهزة الكهربائية توصيل مقبض خرطوم الشفط مباشرة مع الجهاز الكهربائي.

صورة إيضاحية N

4. أدخل قابس الشبكة للأداة الكهربائية في المقبس.

صورة إيضاحية O

5. ينبغي أن يتم مفتاح الجهاز على MAX +، ضبطه. يمكن تنظيم الطاقة باستخدام المفتاح الدوار.

يتم تنشيط الشفط تلقائياً.

صورة إيضاحية M

إرشاد

لاحظ الحد الأقصى للحمل المتصل (انظر المعلومات الموجودة على مقيس الجهاز).

إرشاد

بمجرد تشغيل الأداة الكهربائية، يبدأ توربين الشفط في العمل مع تأخير 0.5 ثانية. إذا تم إيقاف تشغيل الأداة الكهربائية، يستمر توربين الشفط في العمل لمدة 5 ثوانٍ تقريباً لشفط الأوساخ المتبقية في خرطوم الشفط.

نظام تنظيف الفلتر المدمج

إرشاد

تم تصميم نظام تنظيف الفلتر من أجل شفط كميات كبيرة من الغبار الناعم بدون إدخال كيس فلتر. يمكن عن طريق نظام تنظيف الفلتر أن يتم تنظيف الفلتر المطوي المسطح بضغط زر وبالتالي زيادة قوة الشفط مرة أخرى.

● أدخل مقبض خرطوم الشفط في وضع الركن الموجود على رأس الجهاز. اضغط 3 مرات على زر تنظيف الفلتر عندما يكون الجهاز مشغلاً. أثناء الضغط يجب الانتظار 4 ثوانٍ بين الضغطة والأخرى.

صورة إيضاحية P

إرشاد

بعد الضغط عدة مرات على زر تنظيف الفلتر، تحقق من سعة الحاوية. خلاف ذلك يمكن أن تتسرب الأوساخ عند فتح الحاوية

وظيفة النفخ

يمكن استخدام وظيفة النفخ لتنظيف المناطق التي يصعب الوصول إليها أو حيث لا يمكن تنظيفها بعملية الشفط، على سبيل المثال وجود أوراق الشجر في مكان فيه الحصى.

● إدخال خرطوم الشفط في وصلة النفخ. تم الآن تنشيط وظيفة النفخ.

صورة إيضاحية Q

قطع عملية التشغيل

1. انقل مفتاح الجهاز إلى الوضع "OFF 0".

2. الاصدار 1: ضع المقبض اليدوي لخرطوم الشفط في حامل الركن المتوسط.

الاصدار 2: قم بتعليق فوهة الأرضية في حامل الركن.

صورة إيضاحية R

حماية البيئة



المواد المستخدمة في التغليف قابلة لإعادة التدوير. يرجى التخلص من مواد التغليف بطريقة تحافظ على البيئة. تحتوي الأجهزة الكهربائية والإلكترونية مواد قيمة قابلة لإعادة التدوير وغالباً على أجزاء مثل البطاريات، متراكمات أو الزيوت والتي قد تشكل خطورة على صحة الإنسان والبيئة في حالة التعامل معها أو تم التخلص منها بصورة خاطئة. إلا أن هذه الأجزاء ضرورية لتشغيل الجهاز بصورة سليمة. لا يجوز التخلص من الأجهزة المميزة بهذا الرمز مع النفايات المنزلية.

إرشادات حول مواد المحتويات (REACH)

تجد المعلومات الحالية حول مواد المحتويات على الموقع: www.kaercher.com/REACH

الملحقات التكميلية وقطع الغيار

استخدام الملحقات التكميلية الأصلية وقطع الغيار الأصلية فقط، والتي تضمن تشغيل الجهاز بشكل آمن وخالٍ من الاختلالات. تجد المعلومات الخاصة بالملحقات التكميلية وقطع الغيار على الموقع www.kaercher.com.

محتوى التسليم

محتوى تسليم الجهاز مصور على العبوة. تأكد من وجود جميع محتويات العبوة عند فتحها. وفي حالة نقص أية ملحقات تكميلية أو اكتشاف أي تلف بها ناتج عن عملية النقل، يرجى إخطار البائع.

الضمان

يسري في كل دولة شروط الضمان التي تضعها شركة التسويق المتخصصة التابعة لنا. نحن نتولى إصلاح الأخطاء التي قد تطرأ على جهازك خلال فترة الضمان بدون مقابل، عندما يكون سبب هذه الأعطال ناجم عن عيب في المواد المستخدمة أو في عملية التصنيع. في حالة استحقاق الضمان، توجه من فضلك بقسيمة الشراء إلى أقرب موزع أو مركز خدمة عملاء معتمد. (العنوان على الصفحة الخلفية)

مواصفات الجهاز

توضيح الرسوم التوضيحية للجهاز بأفضل المعدات الممكنة (WD 6 P S / KWD 6 P S).

يوجد اختلاف في المعدات اعتماداً على الطراز المحدد. يتم وصف المعدات المحددة على عبوة الجهاز. للأشكال، انظر صفحة الصور.

صورة إيضاحية A

- 1 وصلة خرطوم الشفط
- 2 مفتاح دوار (مزود بمنظم القدرة للأجهزة ذات المقبس)
- 3 مقبس الجهاز
- 4 وظيفية النفخ
- 5 زر تنظيف الفلتر
- 6 مقبض وضع الركن
- 7 مقبض الحمل
- 8 مقبض
- 9 مساحة تخزين
- 10 علب الفلتر وزر التحرير
- 11 خفاف الكابل
- 12 تخزين الخرطوم (كلا الجانبين)

لوحة مواصفات مزودة بالبيانات الفنية (مثل حجم الوعاء)

مكان إدخال الملحقات

وصلة الشبكة مع قابس الشبكة

فوهة أرضية لحامل الركن

17 عجلة التوجيه

18 برغى تصريف

19 فلتر كيسى

20 فلتر مطوى مسطح

21 مقبض قابل للإزالة مزودة بحماية كهروستاتيكية

22 خرطوم شفط مزود بموصل

23 أنابيب شفط 2 × 0.5 م

24 فوهة الشفوق

25 فوهة الأرضية

26 خرطوم مرن للجهاز

27 محول توصيل الأدوات الكهربائية

تركيب العجلات الدوارة ومكان إدخال الملحقات

1. يعمل المقبض بقل رأس الجهاز والحاوية في نفس الوقت. لفتح القفل، يجب إدارة القوس للأمام حتى يتحرر القفل.
صورة إيضاحية B
2. قبل الاستخدام لأول مرة، قم بإزالة المحتويات من الحاوية وقم بتركيب العجلات الدوارة.
صورة إيضاحية C
صورة إيضاحية D
3. اشبك مكان إدخال الملحقات على الجزء الخلفي من رأس الجهاز.
صورة إيضاحية E

إرشاد

بالنسبة للإصدارات المزودة بأنابيب فولاذية، يجب إزالة الغطاء الوافى قبل الاستخدام عند أول مرة.

بدء التشغيل

إدخال الفلتر الكيسى

1. افتح الفلتر الكيسى بالكامل.
2. قم بتركيب كيس الفلتر بوضلة الجهاز واضغط عليه بقوة.
3. تركيب رأس الجهاز وتأمينه.
صورة إيضاحية F
صورة إيضاحية G

استخدام الملحق

1. توصيل خرطوم الشفط.
صورة إيضاحية H
2. توصيل خرطوم الشفط بالمقبض اليدوي.
صورة إيضاحية I

إرشاد

للاستمتاع بمكنسة كهربائية مرحة في الأماكن الضيقة، يمكن إزالة المقبض اليدوي وتوصيل الملحقات مباشرة بخرطوم الشفط. لتحرير المقبض اليدوي، اضغط على المناطق الرمادية على جانبي المقبض اليدوي واسحب المقبض اليدوي بعيداً عن الخرطوم.

3. توصيل فوهة الأرضية بأنابيب الشفط.
 - استخدم وضع الفرشاة المخرجة لشفط الأوساخ الجافة.
 - استخدم الشفاة المطاطية المخرجة لشفط الأوساخ الرطبة / الماء.

صورة إيضاحية J

تشغيل الجهاز

1. إدخال قابس الشبكة في المقبس.
صورة إيضاحية K
الجهاز بدون مقبس
2. اضبط المقبض اليدوي إلى الموضع المرغوب.
صورة إيضاحية L
 - الوضع "ON 1": تم تشغيل وظيفية الشفط/النفخ.
 - الوضع "OFF 0": الجهاز متوقف.

الجهاز المزود بمقبس

إرشادات السلامة



يرجى قراءة دليل التشغيل هذا قبل أول استخدام للجهاز وكذلك إرشادات السلامة المرفقة. ثم يجب استخدام الجهاز وفقاً لذلك.

- يجب عليك إلى جانب الإرشادات الواردة في دليل التشغيل مراعاة القواعد العامة للسلامة والوقاية من الحوادث والتي يحددها المشرع القانوني.
- تشير علامات الإرشاد والتحذير الموجودة على الجهاز إلى الإرشادات الهامة للتشغيل الآمن.

درجات الخطر

⚠️ خطر

- إشارة إلى خطر مباشر وشيك للحوادث وقد يؤدي إلى إصابات جسدية بالغة أو إلى الوفاة.

⚠️ تحذير

- إشارة إلى موقف قد تحفه المخاطر وقد يؤدي إلى إصابات جسدية بالغة أو إلى الوفاة.

⚠️ تنويه

- إشارة إلى موقف قد تحفه المخاطر وقد يؤدي إلى إصابات بسيطة.

⚠️ تنبيه

- إشارة إلى موقف قد تحفه المخاطر وقد يؤدي إلى حدوث أضرار مادية.

إرشادات السلامة العامة

- ⚠️ **خطر** • خطر الاختناق. يجب عليك إبعاد أكياس التعبئة والتغليف عن متناول الأطفال.

⚠️ **تحذير** • استخدم الجهاز وفقاً للعرض المحدد له فقط. عليك مراعاة الظروف المحيطة والانتباه عند استخدام الجهاز إلى الأشخاص الآخرين وخاصة الأطفال منهم. • يسمح للأشخاص الذين لديهم قدرات بدنية أو حسية أو عقلية محدودة أو الذين لا تتوافر لديهم الخبرة والمعرفة الكافية، أن يستخدموا الجهاز بشرط الإشراف عليهم بشكل صحيح، أو إذا تم بعد حصولهم على تعليمات بشأن كيفية الاستخدام الآمن للجهاز من قبل شخص مسؤول عن سلامتهم ومعرفة المخاطر المرتبطة به. • لا يسمح باستخدام الجهاز إلا من قبل الأشخاص الذين تم إرشادهم إلى كيفية استخدام الجهاز، أو الذين اتقنوا قدرتهم على استخدام الجهاز وتم تكليفهم صراحة باستخدامه. • لا يسمح للأطفال بتشغيل الجهاز. • يمكن أن يتم استخدام الجهاز من قبل صغار السن بدءاً من 8 سنوات على الأقل بشرط أن يتم المحافظة على سلامتهم عن طريق تعليمهم كيفية استخدام الجهاز من قبل شخص متخصص ووضعه تحت المراقبة وكذلك فهمهم الأخطار الناتجة عنه. • يجب مراقبة الأطفال للتأكد من عدم لعبهم بالجهاز. • يسمح للأطفال القيام بعملية التنظيف والصيانة بشرط أن يتم الإشراف عليهم.

- ⚠️ **تنويه** • تجهيزات السلامة تخدم حمايتك. لا تقم بتغيير أو تجاوز تجهيزات السلامة أبداً.

خطر الصدمة الكهربائية

⚠️ **خطر** • قم بتوصيل الجهاز بتيار متردد فقط. يجب أن يتوافق الجهد الموجود على لوحة الطراز مع جهد مصدر التيار. • لا تلمس القابس الكهربائي والمقبس بأيدي مبللة بالماء نهائياً. • استخدم الجهاز عن طريق قاطع الدائرة الكهربائية فقط (30 مللي أمبير حد أقصى). • تجنب عمر الجهاز في الماء.

⚠️ **تحذير** • قم بتوصيل الجهاز بوسيلة كهربائية يكون تم شرائها من متجر متخصص ببيع الأجهزة الكهربائية وفقاً لمعيار IEC 60364-1. • افحص كابل التوصيل الكهربائي المزود بقابس قبل كل عملية تشغيل. لا تقم بتشغيل الجهاز عندما يكون كابل التوصيل الكهربائي تالف. قم بتغيير كابل التوصيل الكهربائي التالف فوراً من قبل خدمة العملاء المعتمدة/فني كهربائي. • لا تقم بالتحاق أضرار أو إتلاف كابل التوصيل الكهربائي وكابل التمديد الكهربائي عن طريق الدهس، سحق، الشد أو فعل شيء به من هذا القبيل. قم بحماية كابل التوصيل الكهربائي من الحرارة، التريث والحواف الحادة.

⚠️ **تنويه** • يجب عند التوقف عن العمل لفترة استراحة طويلة وبعد الاستخدام إيقاف الجهاز عن طريق المفتاح الرئيسي / مفتاح الجهاز وكذلك فصل القابس الكهربائي أيضاً. • أوقف تشغيل الجهاز قبل كل عملية تنظيف / صيانة، وإسحب قابس التيار الكهربائي. • عند استخدام الجهاز، اسحب كابل مصدر الطاقة بالكامل خارج الجهاز إذا كان الكابل ملتصقاً حول خطاف الكابل. فيجب إرجاعه تماماً. • لا تحمل/لا تتلصق بجهاز الشحن من كابل وصلة الشبكة. • لا تشد قابس الشبكة من كابل الشبكة من المقبس.

التنظيف الرطب بالمكنسة الكهربائية

⚠️ تحذير

- في حالة تكون رغوة أو تسرب سائل، أوقف الجهاز فوراً وافصل القابس الكهربائي.

التشغيل

⚠️ خطر

- يمنع منعاً باتاً التشغيل في المناطق القابلة للانفجار.

- خطر الانفجار
- تجنب استخدام الجهاز في شطف الأتربة أو السوائل أو الغازات القابلة للاشتعال.
- تجنب استخدام الجهاز في شطف غبار المعادن التفاعلية (على سبيل المثال، الألومنيوم، والمغنيسيوم، والزنك).
- تجنب استخدام الجهاز في شطف الماء المالح أو الأحماض غير المخففة.
- تجنب استخدام الجهاز لشطف أي مواد/أجسام تترقق أو يتصاد منها الدخان.
- قد تسبب هذه المواد في تآكل المواد المستخدمة في الجهاز.

⚠️ تحذير

- خطر الإصابة. لا تستخدم الفوهة وأنبوب الشفط بارتفاع رأسي.

⚠️ تنويه

- لا تترك الجهاز دون مراقبة أبداً طالما يكون مشغلاً.
- حوادث وأضرار ناتجة عن سقوط الجهاز. يجب عليك ضمان السلامة قبل إجراء أي عمل على الجهاز أو قبل استخدام الجهاز.

تنبيه

- قم بحماية الجهاز من ظروف الطقس القاسية والرطوبة والحرارة.
- تجنب استخدام الجهاز دون فلتر. فقد يؤدي ذلك إلى تلف الجهاز.

العناية والخدمة

⚠️ تحذير

- أوقف تشغيل الجهاز على الفور وانزع القابس الرئيسي قبل القيام بأي من أعمال العناية والخدمة.

⚠️ تنويه

- عليك إجراء أعمال الإصلاح أو الأعمال الأخرى على القطع الكهربائية من قبل مركز خدمة معتمدة فقط.

تنبيه

- لا تستخدم المواد الكاشطة أو منظف الزجاج أو منظف متعدد الأغراض في التنظيف.

النقل

⚠️ تنويه

- لتفادي وقوع الحوادث أو الإصابات، يتعين عليك مراعاة وزن الجهاز عند نقله.

الغرض من الاستخدام

اقتصر على استخدام الجهاز في المنزل. الجهاز مصمم للاستخدام كمكنسة كهربائية للتنظيف الرطب والجاف وفقاً للشروحات ومعلومات السلامة الواردة في تعليمات التشغيل هذه.

- لا يجوز كسب الأتربة الباردة إلا باستخدام ملحقات مناسبة.
- احرص على حماية الجهاز من المطر ولا تخزنه بالخارج.

إرشاد

لا تتحمل الشركة الصانعة أية مسؤولية عن الأضرار المحتملة الناتجة عن الاستخدام غير السليم أو التشغيل غير الصحيح.



THANK YOU!
MERCI! DANKE! ¡GRACIAS!



Registrieren Sie Ihr Produkt und profitieren Sie von vielen Vorteilen.

Register your product and benefit from many advantages.

Enregistrez votre produit et bénéficiez de nombreux avantages.

Registre su producto y aproveche de muchas ventajas.

www.kaercher.com/welcome



Bewerten Sie Ihr Produkt und sagen Sie uns Ihre Meinung.

Rate your product and tell us your opinion.

Évaluer votre produit et dites-nous votre opinion.

Reseñe su producto y díganos su opinión.



www.kaercher.com/dealersearch

Alfred Kärcher SE & Co. KG
Alfred-Kärcher-Str. 28-40
71364 Winnenden (Germany)
Tel.: +49 7195 14-0
Fax: +49 7195 14-2212

